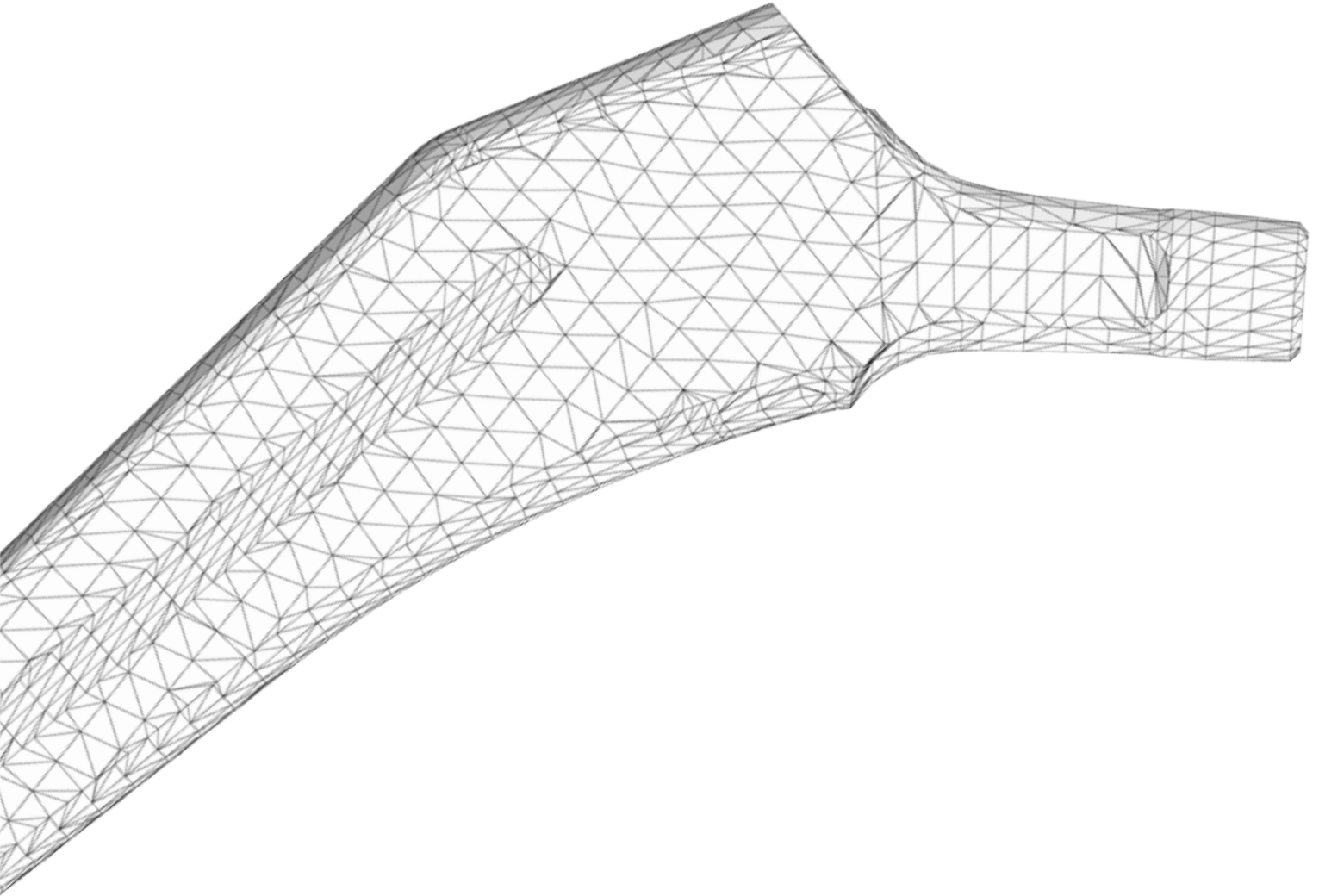




Shalby
Advanced
Technologies, Inc.
Restoring Mobility, Improving Lives.

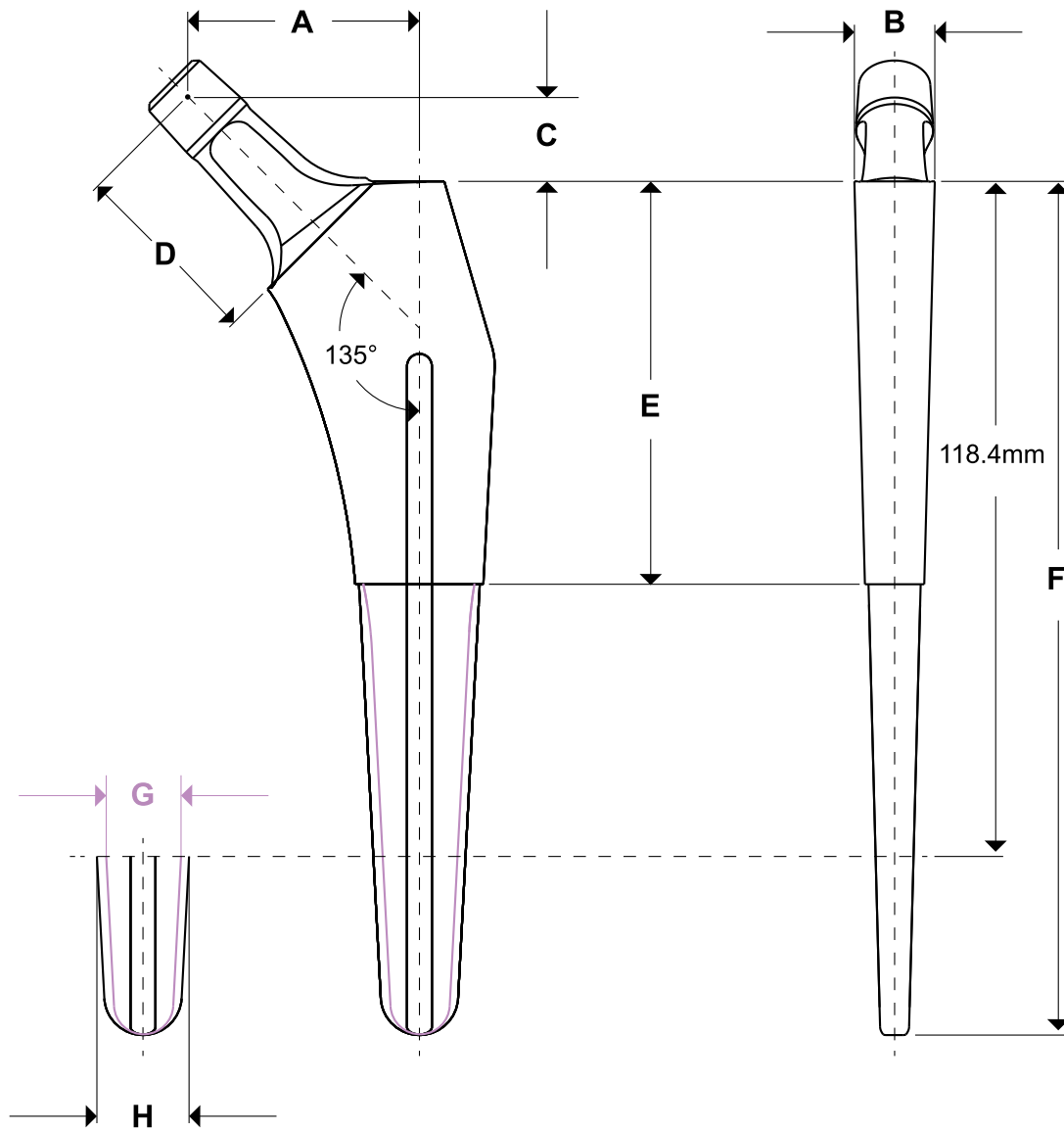
TaperSet Hip System

Dimensional Analysis



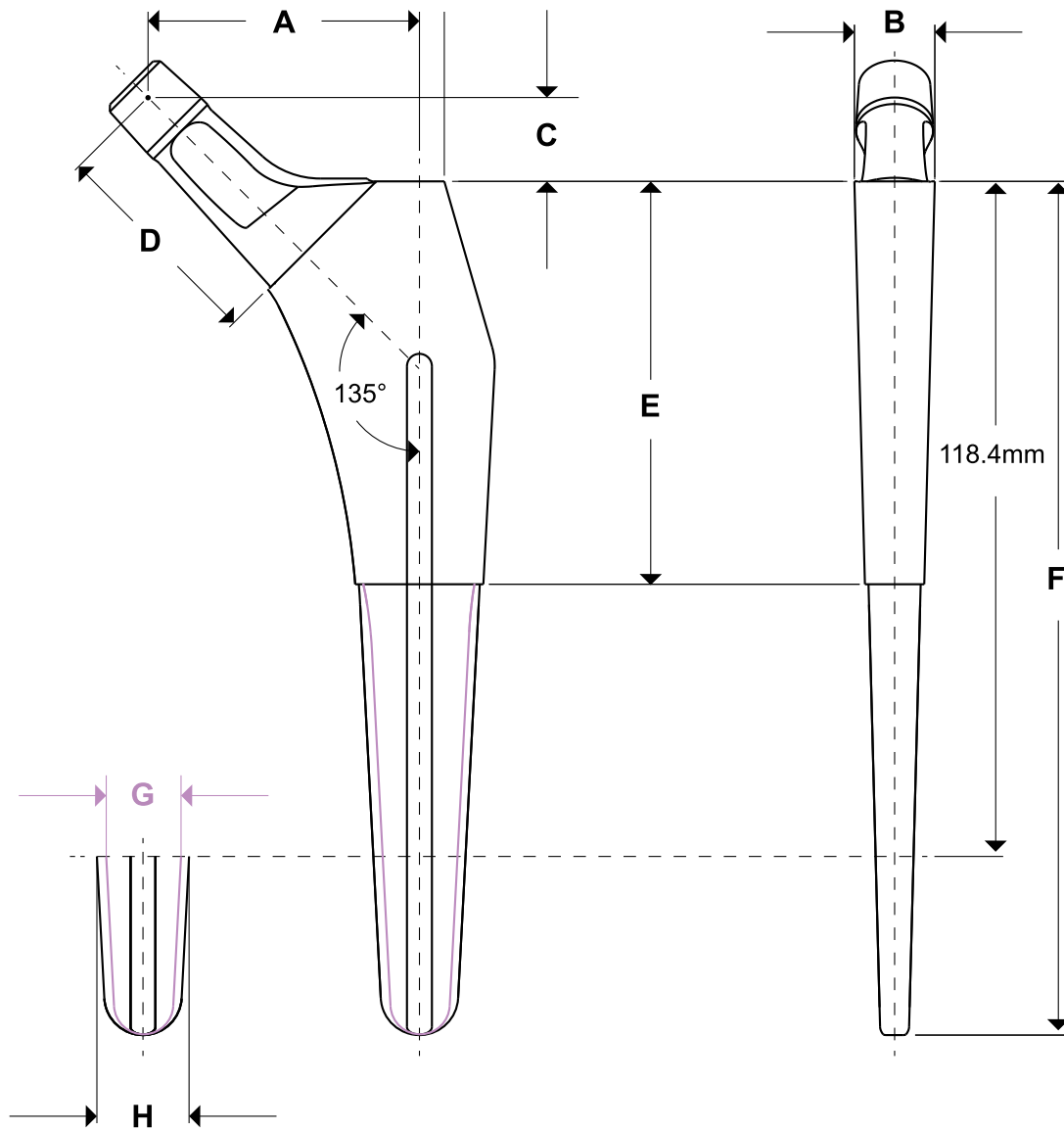
Reliable Innovation

Standard Taperset Dimensions



| | A | B | C | D | E | F | G | H |
|------|----------|---------------|---------------|-------------|---------------|----------|----------------|------------|
| Size | Offset | A/P Thickness | Offset Height | Neck Length | Porous Length | Length | RDP Width @ Pt | Width @ Pt |
| 5 | 29.9mm | 10.7mm | 9.5mm | 26.4mm | 60.1mm | 129.1mm | - | 5mm |
| 6 | 30.9mm | 10.9mm | 9.9mm | 26.9mm | 61.1mm | 130.9mm | - | 6mm |
| 7.5 | 32.4mm | 11.2mm | 10.6mm | 27.9mm | 62.6mm | 133.7mm | - | 7.5mm |
| 9 | 33.8mm | 11.5mm | 11.2mm | 28.9mm | 64.1mm | 136.5mm | - | 9mm |
| 10.5 | 35.3mm | 11.8mm | 11.9mm | 29.9mm | 65.7mm | 139.3mm | 9mm | 10.5mm |
| 12 | 36.8mm | 12.1mm | 12.6mm | 30.9mm | 67.2mm | 142.4mm | 10.5mm | 12mm |
| 13.5 | 38.2mm | 12.4mm | 13.2mm | 31.8mm | 68.7mm | 145.4mm | 10.5mm | 13.5mm |
| 15 | 39.7mm | 12.7mm | 13.9mm | 32.9mm | 70.0mm | 148.5mm | 12mm | 15mm |
| 16.5 | 41.1mm | 13.0mm | 14.6mm | 33.9mm | 71.5mm | 151.5mm | 13.5mm | 16.5mm |
| 18.5 | 42.8mm | 13.4mm | 15.3mm | 34.9mm | 73.5mm | 155.3mm | 15mm | 18.5mm |
| 21 | 44.5mm | 13.9mm | 16.2mm | 35.9mm | 76.1mm | 160.4mm | 16.5mm | 21mm |
| 24 | 46.5mm | 14.5mm | 17.0mm | 36.9mm | 79.1mm | 166.5mm | 18.5mm | 24mm |

Lateral TaperSet Dimensions



| | A | B | C | D | E | F | G | I |
|------|----------|---------------|---------------|-------------|---------------|----------|----------------|------------|
| Size | Offset | A/P Thickness | Offset Height | Neck Length | Porous Length | Length | RDP Width @ Pt | Width @ Pt |
| 5 | 36.9mm | 10.7mm | 9.4mm | 31.4mm | 60.2mm | 129.2mm | - | 5.0mm |
| 6 | 37.9mm | 10.9mm | 9.8mm | 31.9mm | 61.2mm | 131.1mm | - | 6.0mm |
| 7.5 | 39.4mm | 11.2mm | 10.4mm | 32.8mm | 62.7mm | 133.9mm | - | 7.5mm |
| 9 | 40.9mm | 11.5mm | 11.1mm | 33.8mm | 64.3mm | 136.7mm | - | 9.0mm |
| 10.5 | 42.3mm | 11.8mm | 11.8mm | 34.7mm | 65.8mm | 139.4mm | 9mm | 10.5mm |
| 12 | 43.8mm | 12.1mm | 12.5mm | 35.8mm | 67.3mm | 142.5mm | 10.5mm | 12.0mm |
| 13.5 | 45.2mm | 12.4mm | 13.1mm | 36.7mm | 68.8mm | 145.5mm | 10.5mm | 13.5mm |
| 15 | 46.7mm | 12.7mm | 13.8mm | 37.6mm | 70.1mm | 148.6mm | 12mm | 15.0mm |
| 16.5 | 48.1mm | 13.0mm | 14.5mm | 38.6mm | 71.6mm | 151.6mm | 13.5mm | 16.5mm |
| 18.5 | 49.8mm | 13.4mm | 15.2mm | 39.6mm | 73.7mm | 155.4mm | 15mm | 18.5mm |
| 21 | 51.5mm | 13.9mm | 16.0mm | 40.6mm | 76.2mm | 160.5mm | 16.5mm | 21.0mm |
| 24 | 53.5mm | 14.5mm | 16.9mm | 41.7mm | 79.2mm | 166.6mm | 18.5mm | 24.0mm |



Shalby
Advanced
Technologies, Inc.
Restoring Mobility, Improving Lives.

USA

Shalby Advanced Technologies, Inc.
1115 Windfield Way, Suite 100,
El Dorado Hills, CA 95762,
Ph: +1 916 355 7100

Singapore

Shalby Global Technologies Pte. Ltd.
Regus One Fullerton, 1 Fullerton Rd,
#02-01, One Fullerton, Singapore- 049231
Ph: +65 88707885 /+60 125065062

India

Mars Medical Devices Ltd.
Mondeal Heights, B-301 & 302,
Sarkhej - Gandhinagar Highway,
Ahmedabad, Gujarat-380015
Ph: +91 91671 20390

